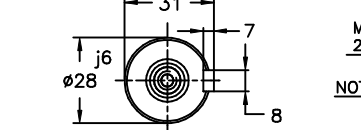
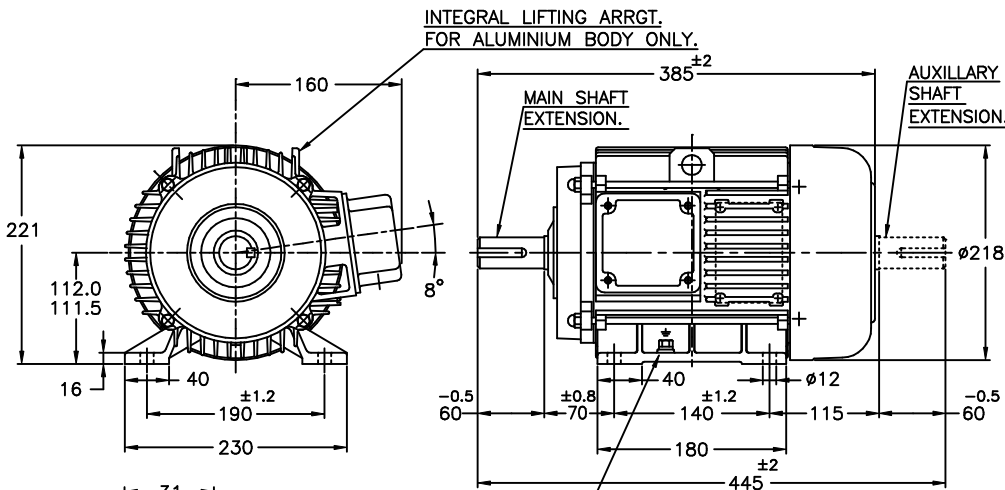


UNMENTIONED TOLERANCES

LINEAR DIMENSIONS (SUPTO MACHINED) TOL.	0	6	315	1000
ABOVE	0	6	315	1000
ANGLES	± 1/2°			

ALL INFORMATION CONTAINED IN THIS DOCUMENT IS CONFIDENTIAL AND THE PROPERTY OF KIRLOSKAR ELECTRIC CO.LTD. REPRODUCING OF THESE IN ANY FORM IS TO BE DONE WITH THE SPECIFIC PERMISSION OF THE COMPANY.

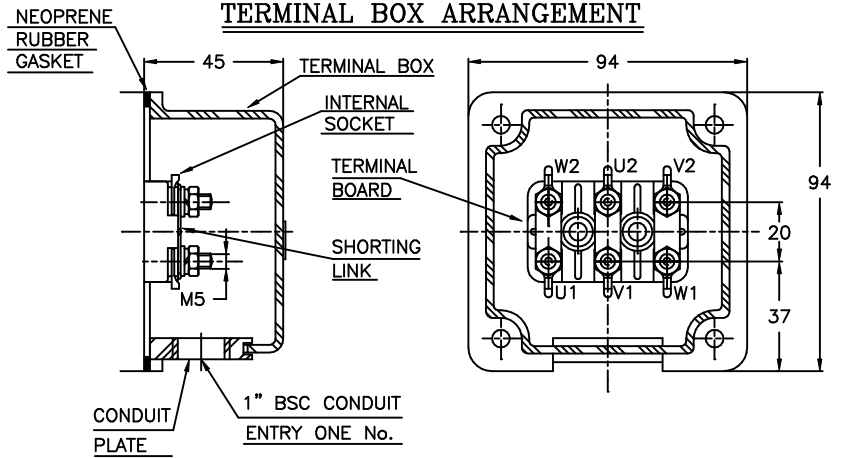
DIMENSIONAL DRAWING



M6 EARTHING SCREWS
 2Nos., 1No. PER SIDE

- NOTE :
1. DIMENSIONS ARE AS PER IS:1231
 2. DEGREE OF PROTECTION: IP:55.
 3. PROTECTED CENTRE HOLE AT SHAFT EXTENSION AS PER IS:2540. "M10 X 24" FOR 'D'- ø28
 4. TERMINAL BOX CAN BE ROTATABLE THROUGH 360° IN STEPS OF 90°.
 5. KEY & KEYWAY ARE AS PER IS:2048 & TOLERANCE ON KEYWAY IS P9.

TERMINAL BOX ARRANGEMENT



NOTE: MAX. CABLE SIZE : MAIN-1x3Cx16 sqmm.

SURFACE ROUGHNESS (MAX) AS PER KSD-02-027

RM	50	12.5	25	1.6	3.2	6.3	0.2	0.4	0.8	0.025	0.05	0.1
OLD	✓	✓	✓	✓	✓	✓	✓	✓	✓	✓	✓	✓
NEW	✓	✓	✓	✓	✓	✓	✓	✓	✓	✓	✓	✓

UC: UNMENTIONED CHAM: R_a ✓

REV.	1	-	0122209	REDRAWN IN A NEW FORMAT.	Sd/-	10/01/09	QA MARKETING PRODUCTION
8	7	6	5	BRIEF RECORD	SIGNATURE	DATE	PRINTS ISSUED TO

Z122614100JR

THIS SUPERSEDES FROM dt AS PER DCN No.....		THIS SUPERSEDED BY FROM dt AS PER DCN No.....	
MATERIAL SPECIFICATION	RAW MATERIAL SIZE	WEIGHT kg	SCALE
-	-	RM FIN.	
CASTING/FAB REF. _____		No.P.S.: -	NTS
USED ON		REDRAWN	
PM 112M		sd/-	STANDARD
TITLE: DIMENSION SHEET		dt10/01/09	APPROVED
32261498R1		dt10/01/09	sd/-
SHEET ONE OF ONE		dt10/01/09	sd/-
KIRLOSKAR ELECTRIC COMPANY LTD. HUBLI-580030 (INDIA)			

FORM No. 02 201 02B (ISSUE 7)